



# Portable GPS Tracker Specification

Model: v16

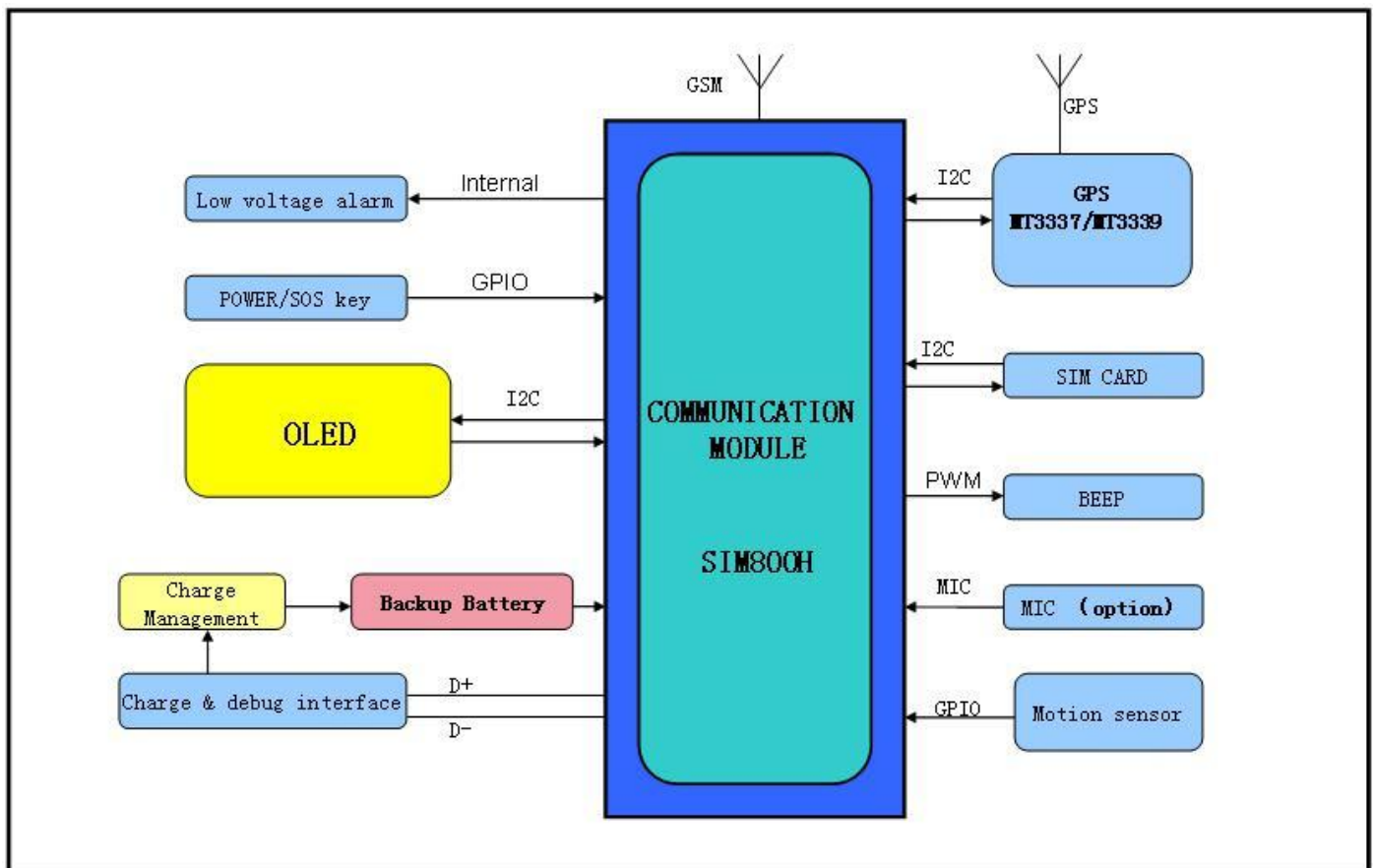
---

1. Product Appearance.....	2
2. Overview .....	2
3. System schematic diagram.....	3
4. Main functions .....	3
5. Technical data .....	4
6. Accessories .....	4

Dahili Net tracker gui ..... <http://dahili.net:8082/>



### 3. System schematic diagram



## 4. Main functions

### 4.1 Query function

Support Mobile APP (Android, IOS) control and SMS query  
Website control, tracking and inquiry

### 4.2 Remote monitoring function

Real-time positioning and monitoring  
Movements' trajectory recording and query  
SOS emergency report  
Audio monitor  
Remote reset  
Low battery alarm  
Cross-border alarm (Geo fence)  
Real-time clock, GPS calibration automatically

### 4.3 OLED screen display

Display: GSM signal intensity  
Display: GPS signal intensity  
Display: battery consumption  
Display: current time  
Display: SOS alarm  
Display: working mode

## 5. Technical data

### 5.1. TRACKER Parameters

- 1) Dimension: 50mm\*50mm\*18mm
- 2) Weight: 30g
- 3) Waterproof: IP 65
- 4) Humidity: 5%-95%
- 5) Working Temperature: -40℃-85 ℃
- 6) Charging Voltage: 5V±0.25V DC
- 7) Working time: power saving mode>120 hours, call duration< 2 hours
- 8) Battery Capacity: 450mAH
- 9) Standby Current: ≤8mA
- 10) Positioning: GPS & LBS & GSM
- 11) GPS/GSM Antenna: Built-in
- 12) Positioning Accuracy: 10-50m
- 13) Speed Accuracy: 0.1m/s
- 14) Platform History Storage (3Months)
- 15) Firmware Upgrade Interface: USB, OTA

### 5.2. GNSS Parameters

Support GPS system

GPS receiver: 12 channel

Receiver: L1band (1575.42MHz), C/A code (1.023MHz chip rate)

Tracking sensitivity: <-159 dBm (GPS)

Clod start sensitivity: <-148dBm

Positioning accuracy: 2.5m (open field)

Speed Accuracy: 0.1m/s

Cold start: 35s, hot start: <1s

### 5.3. Communication Parameters

Working frequency band: 2G

GSM: GSM850/EGSM900/DCS1800/PCS1900MHz Four frequency

Transmit power: GSM850/EGSM900: 2W DCS1800/PCS1900MHZ: 1W

Receiving sensitivity: GSM<-106 dBm

GSM Positioning accuracy: 100-500m

## 6. Accessories

### Standard Accessories

